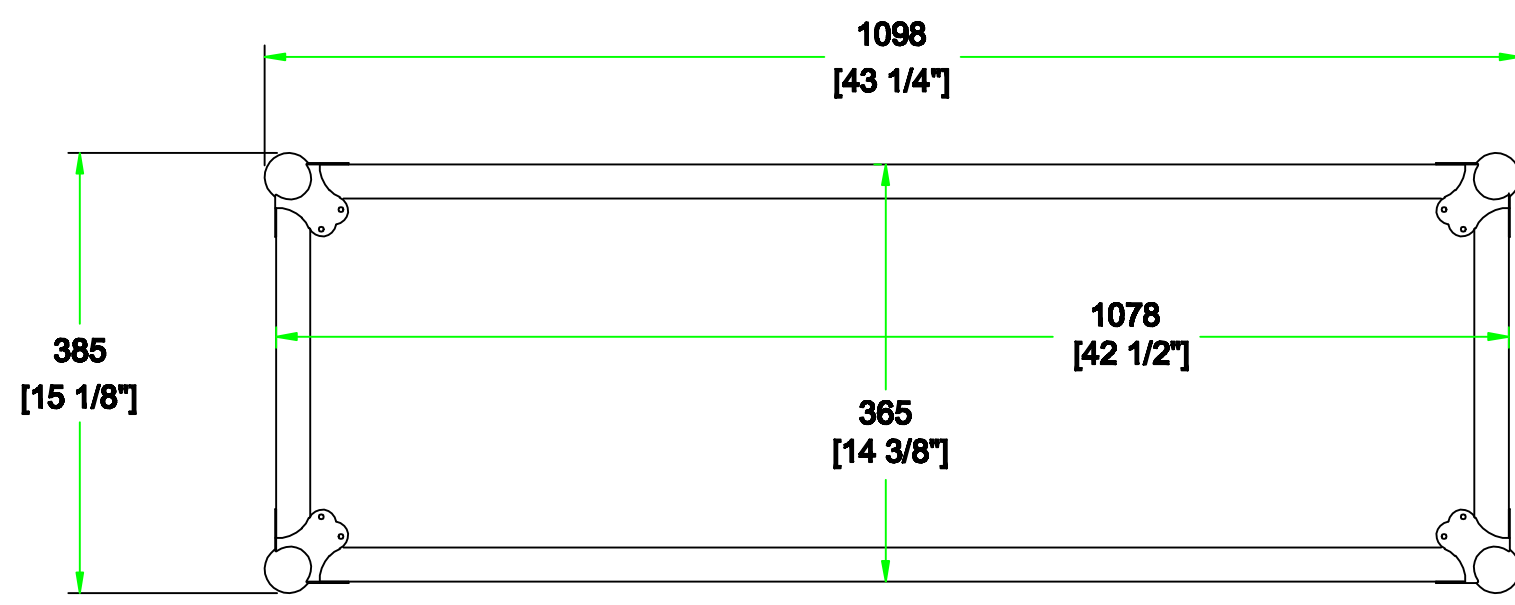
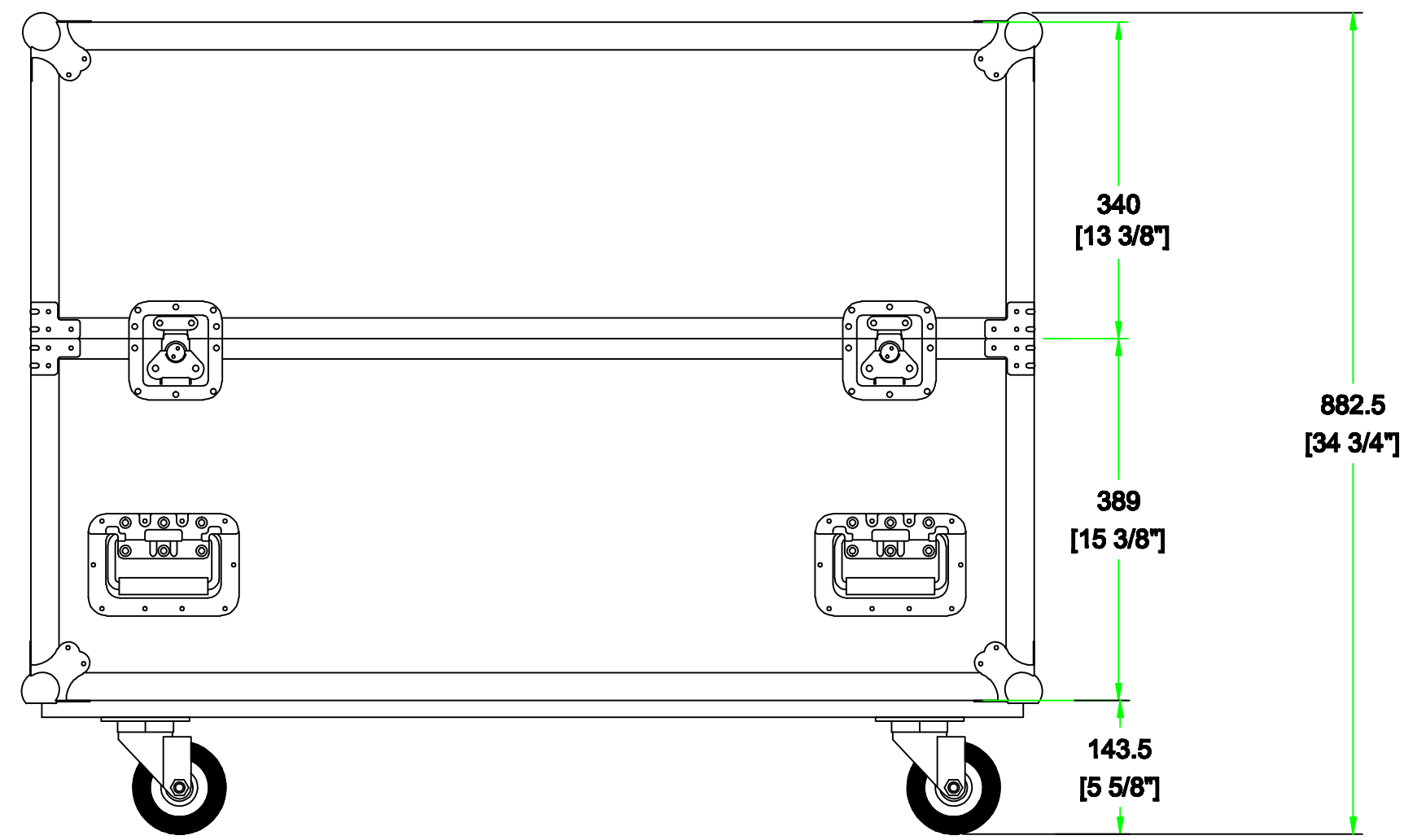




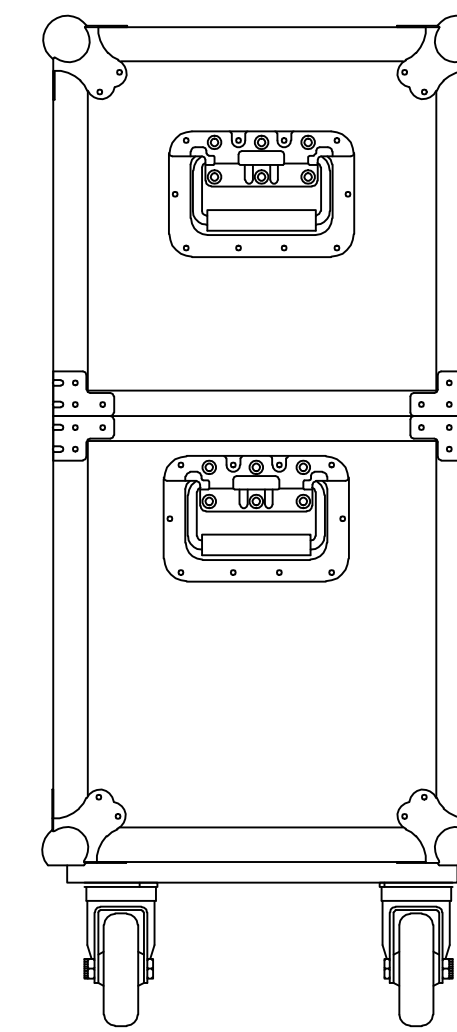
# AC-PLASMA32C



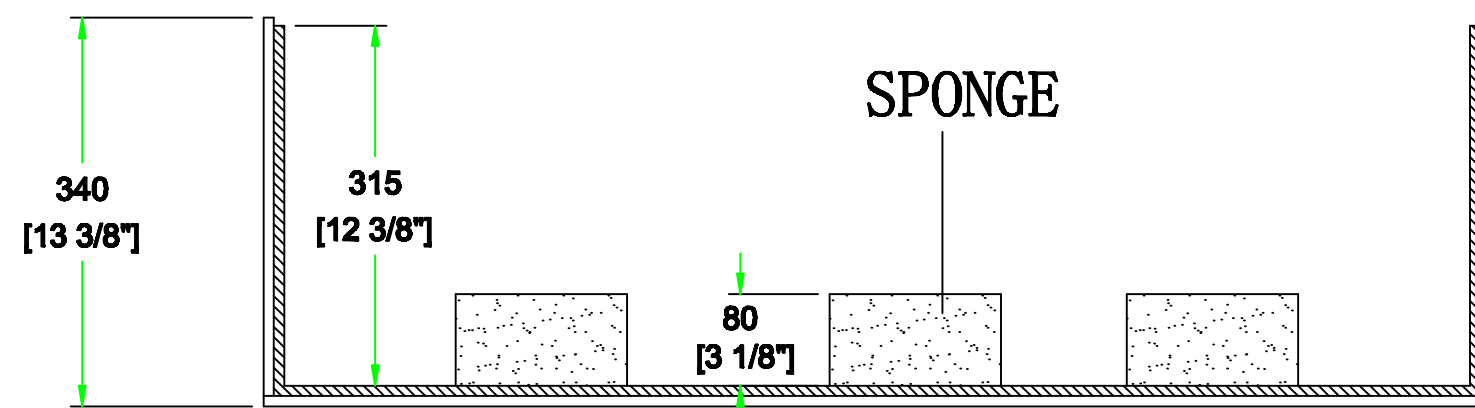
TOP VIEW



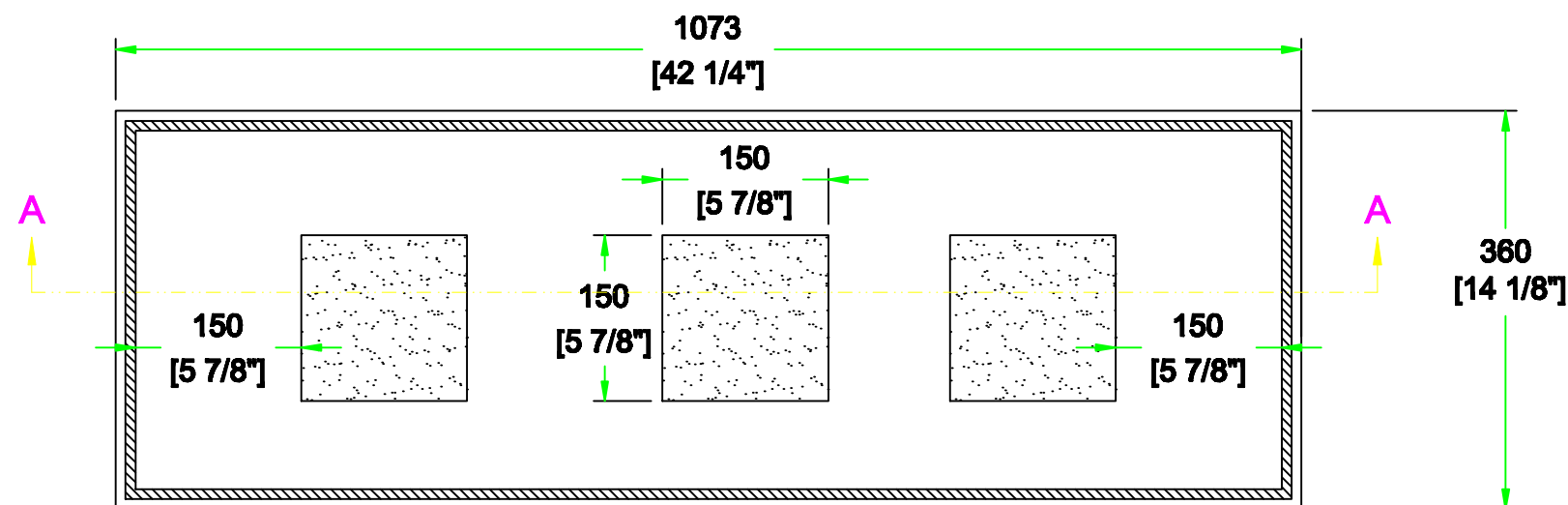
FRONT & BACK VIEW



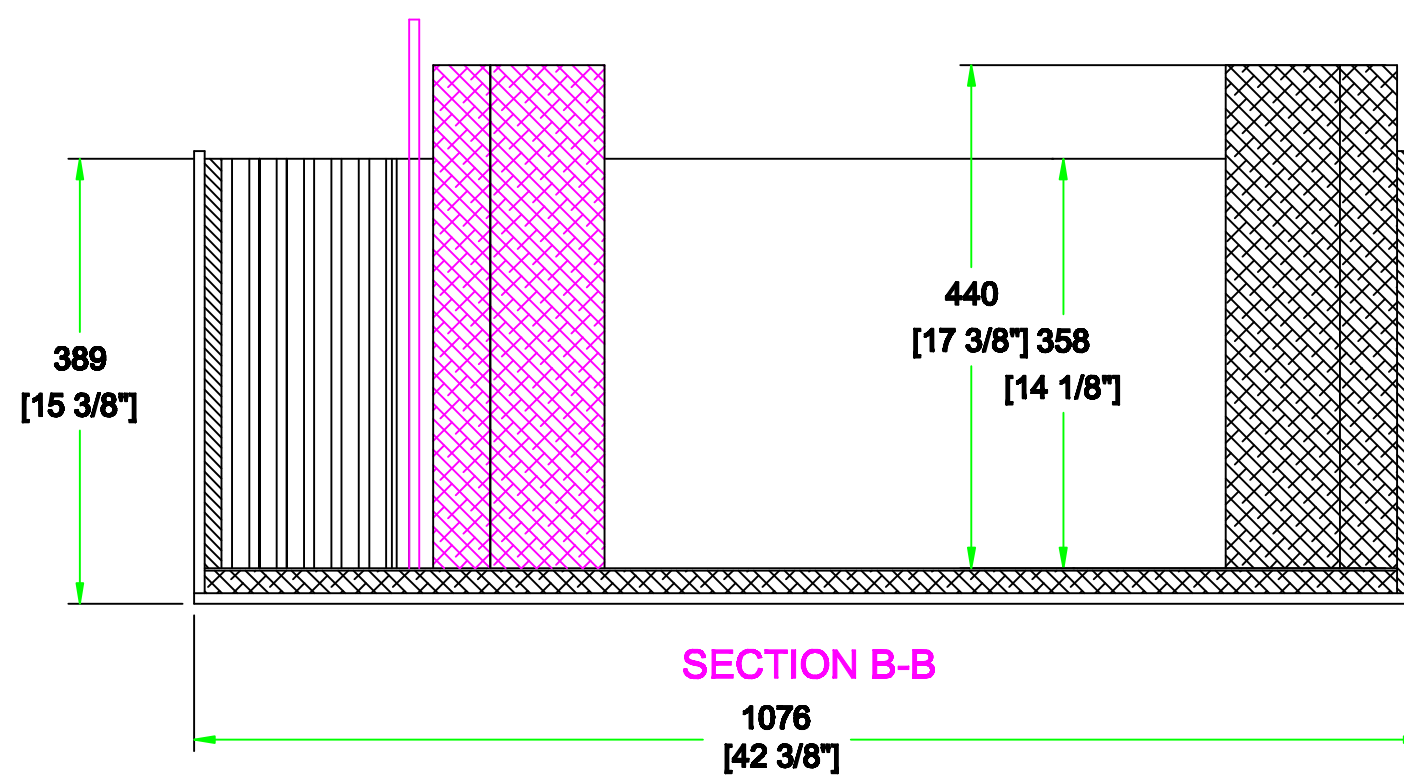
LEFT & RIGHT VIEW



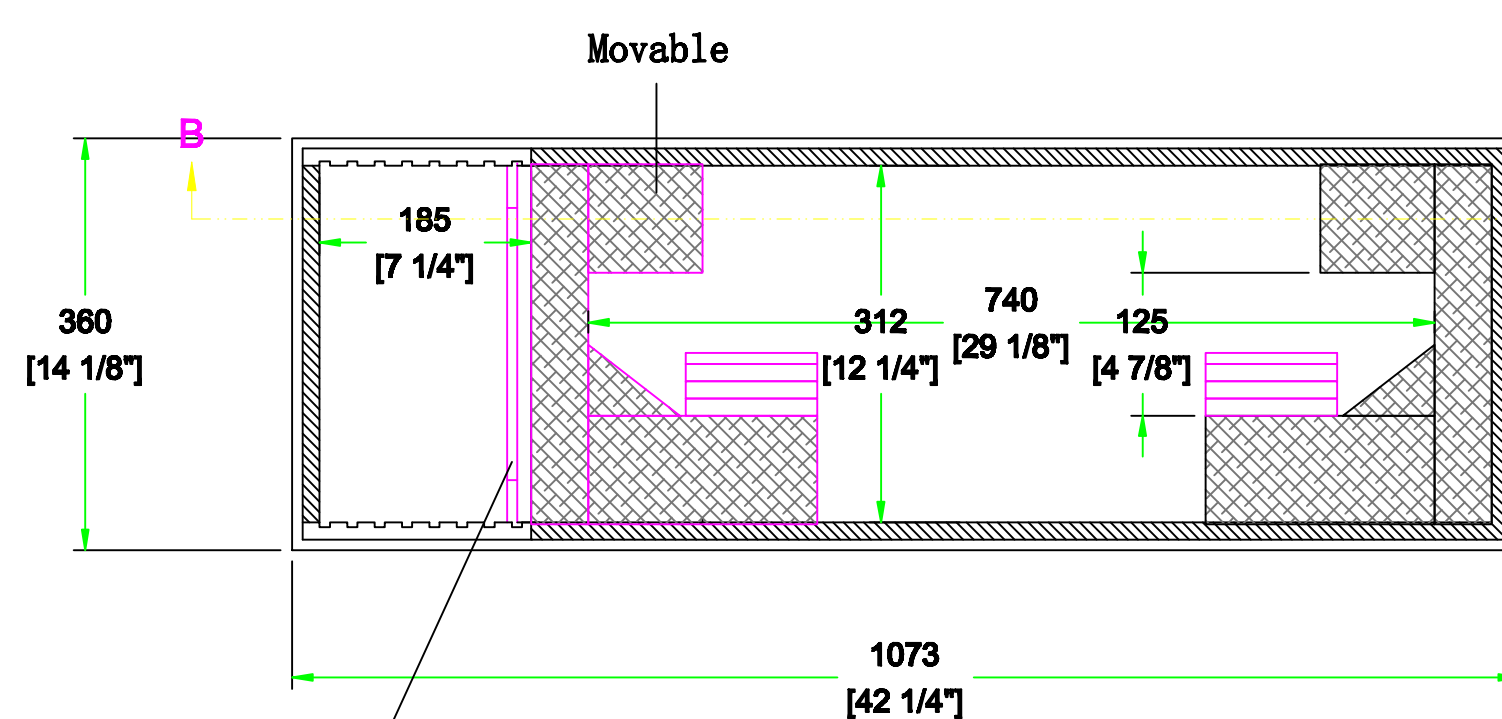
SECTION A-A



INSIDE VIEW OF COVER



SECTION B-B



INSIDE VIEW OF BASE

